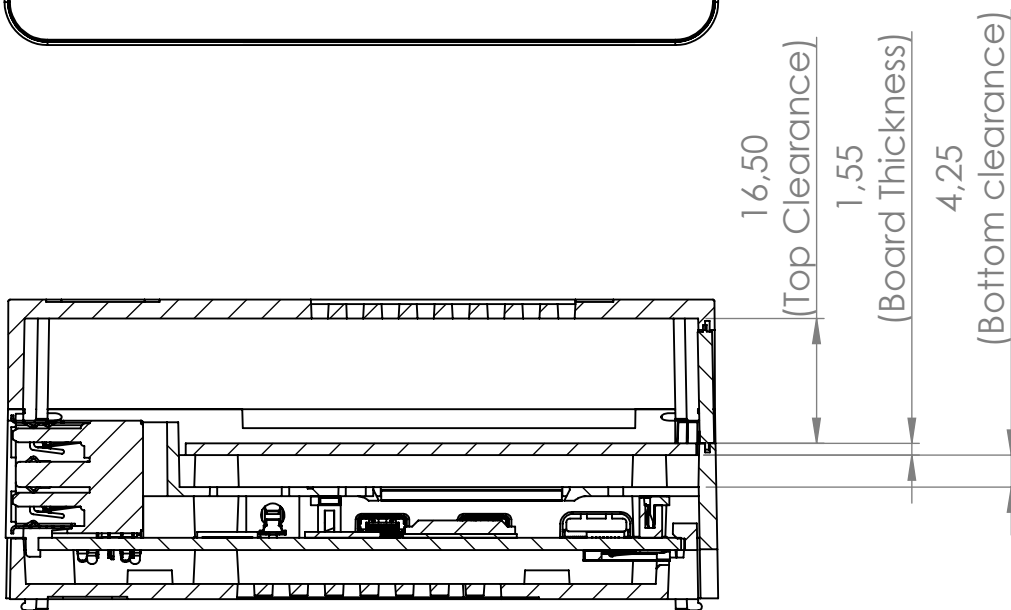
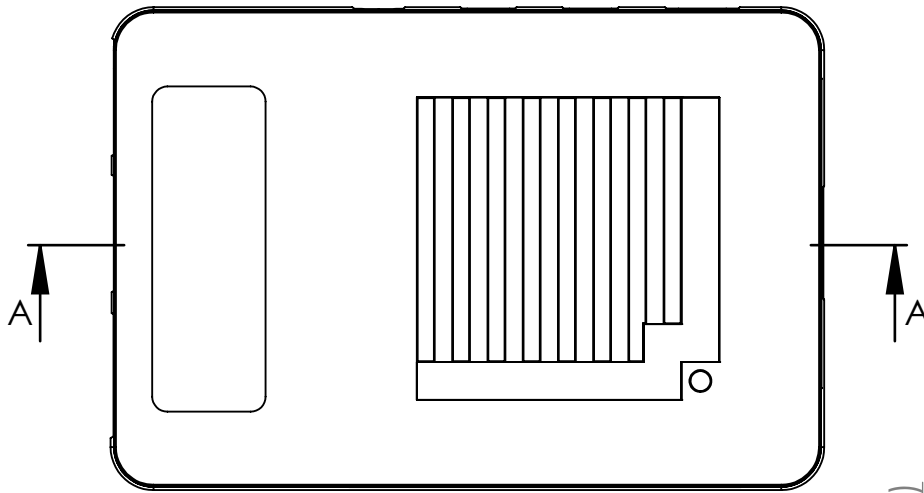
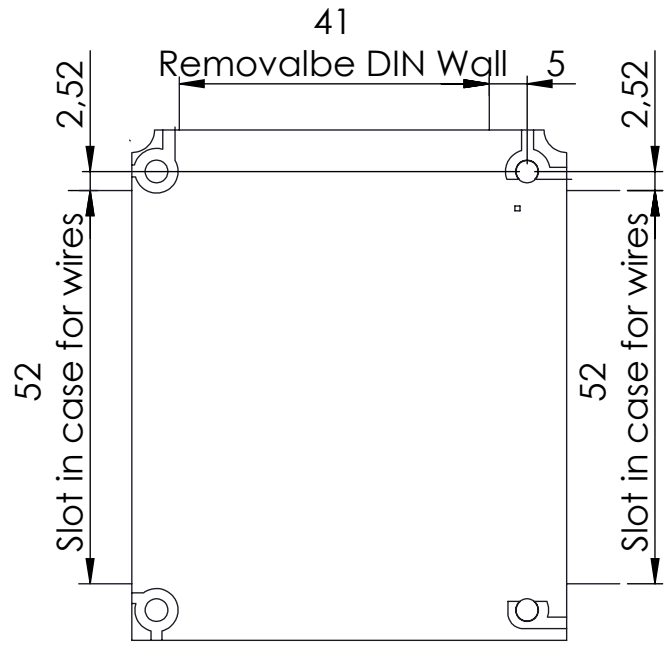
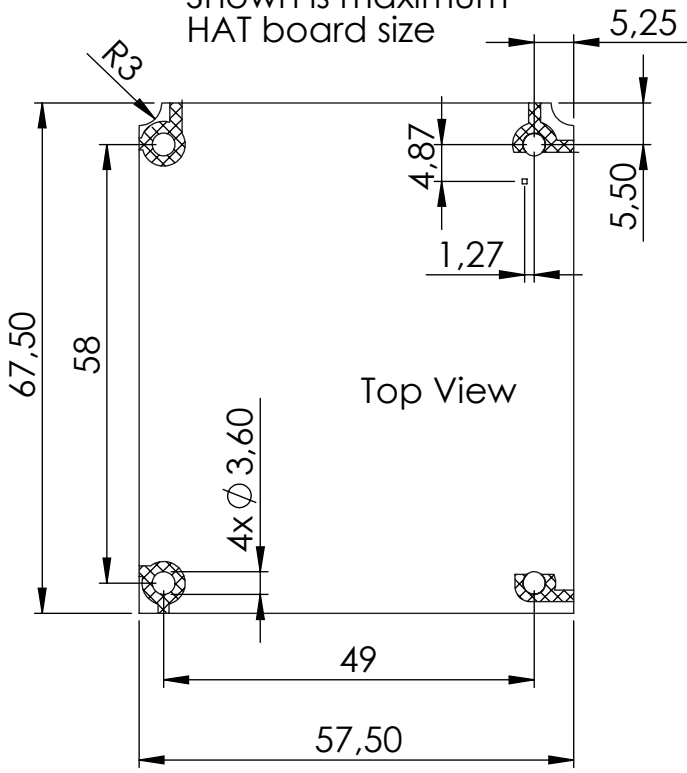


Crosshatched areas are case supports

Shown is maximum
HAT board size



SECTION A-A